

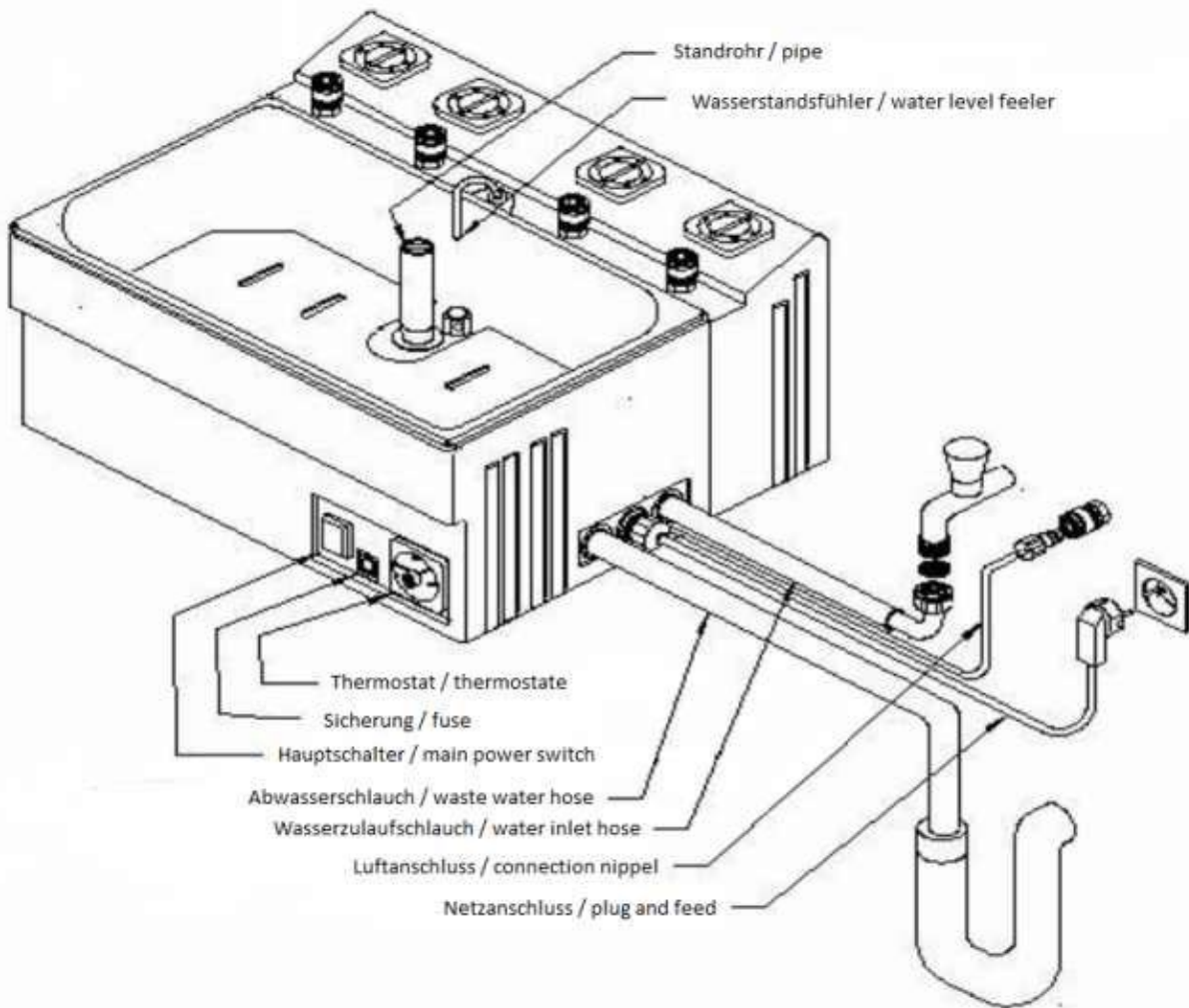


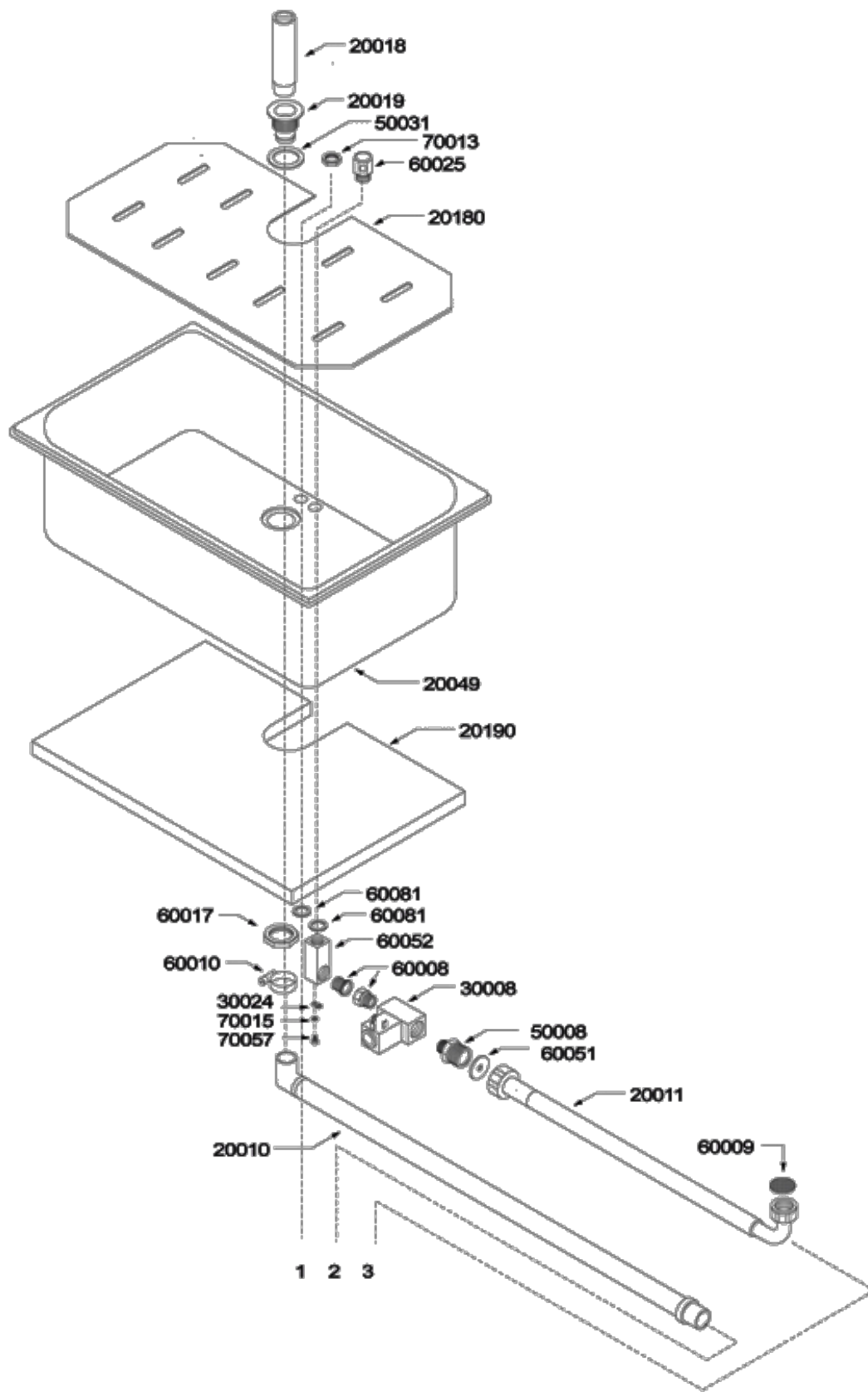
POLYMERIZATION BATHS

IVO-4

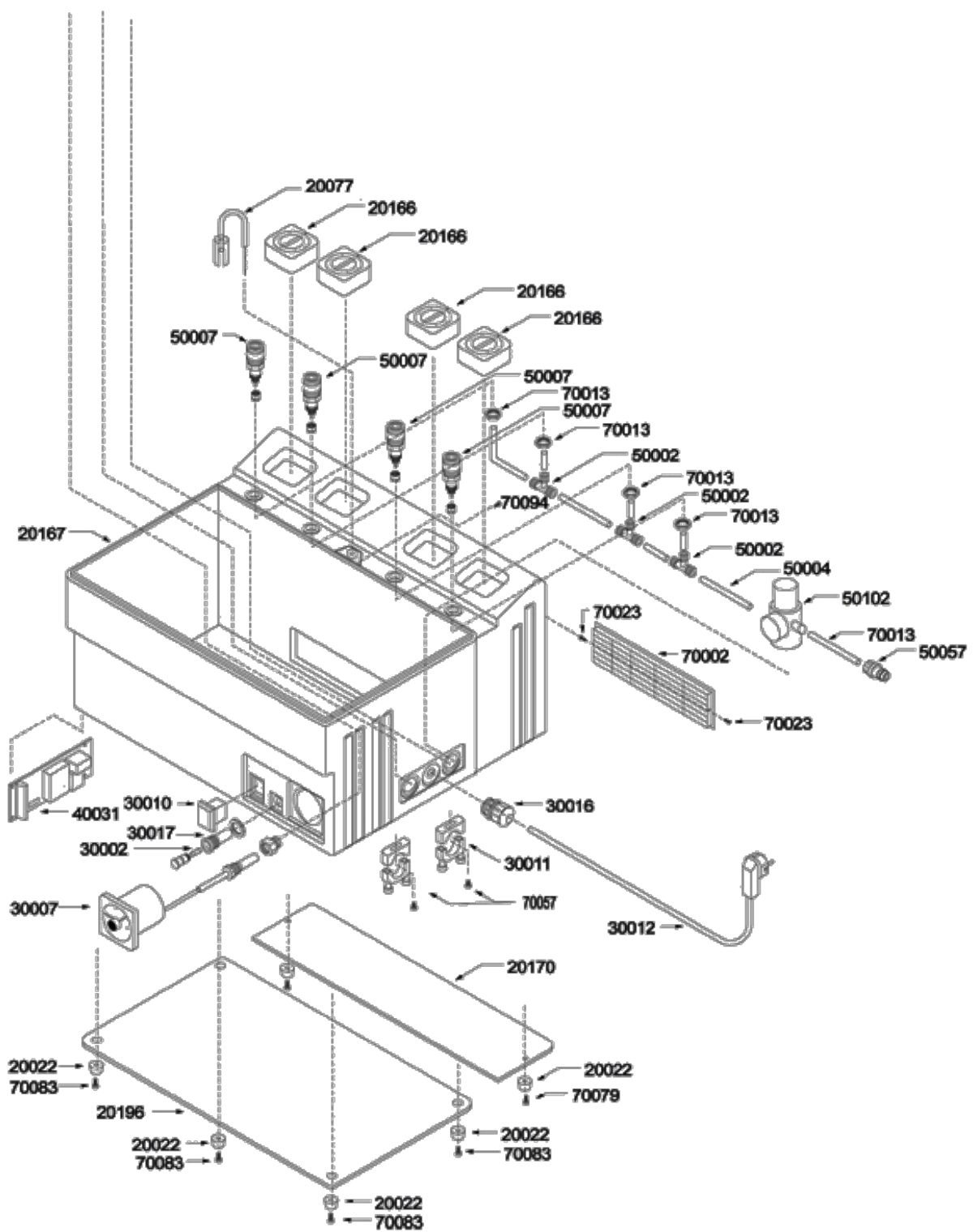
Stainless steel bath, electronic water level control, micro-chronometer, continuous temperature control, built-in air sockets, indirect heating (no limestone deposits on heating elements).

Item No. I 910003



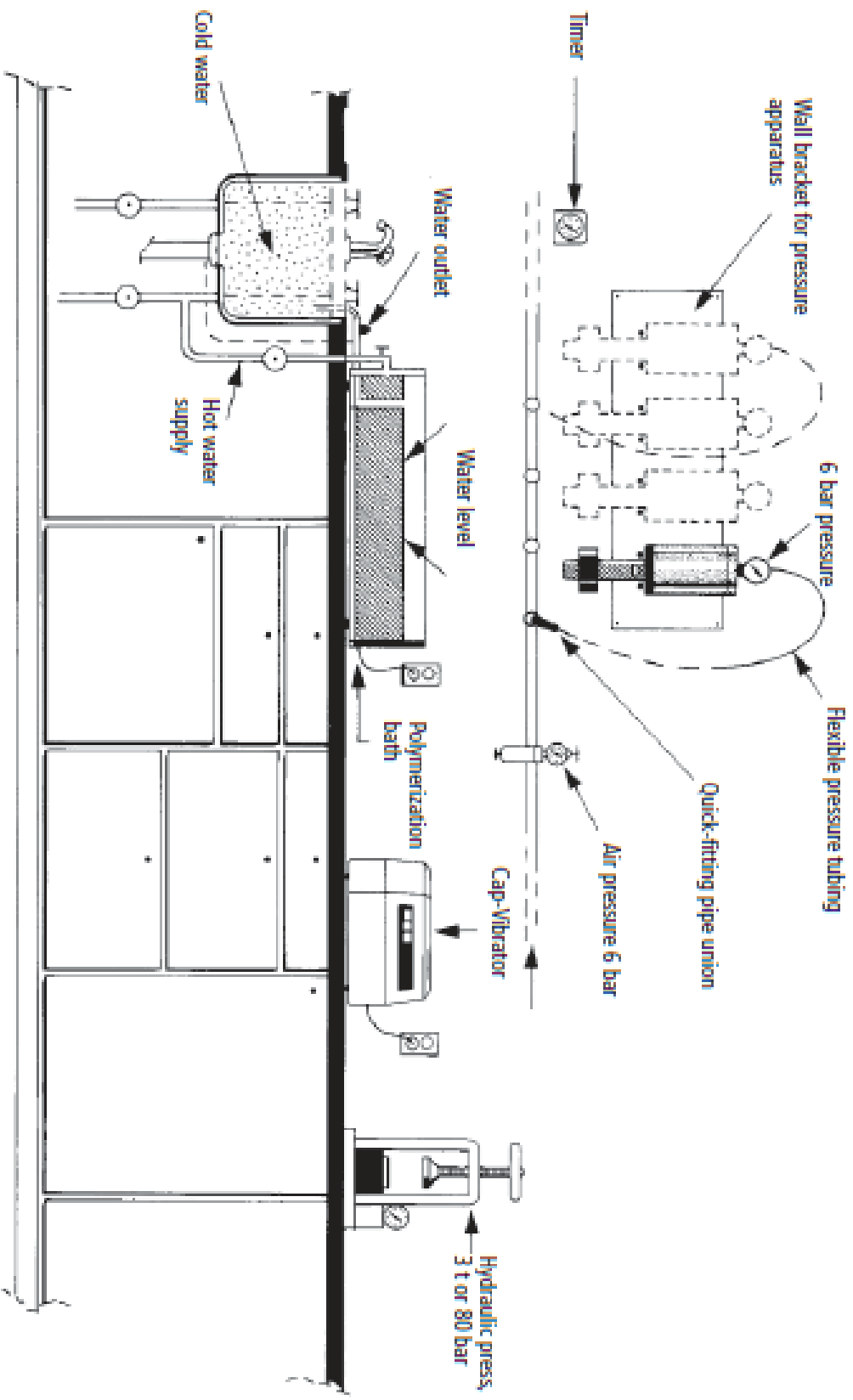


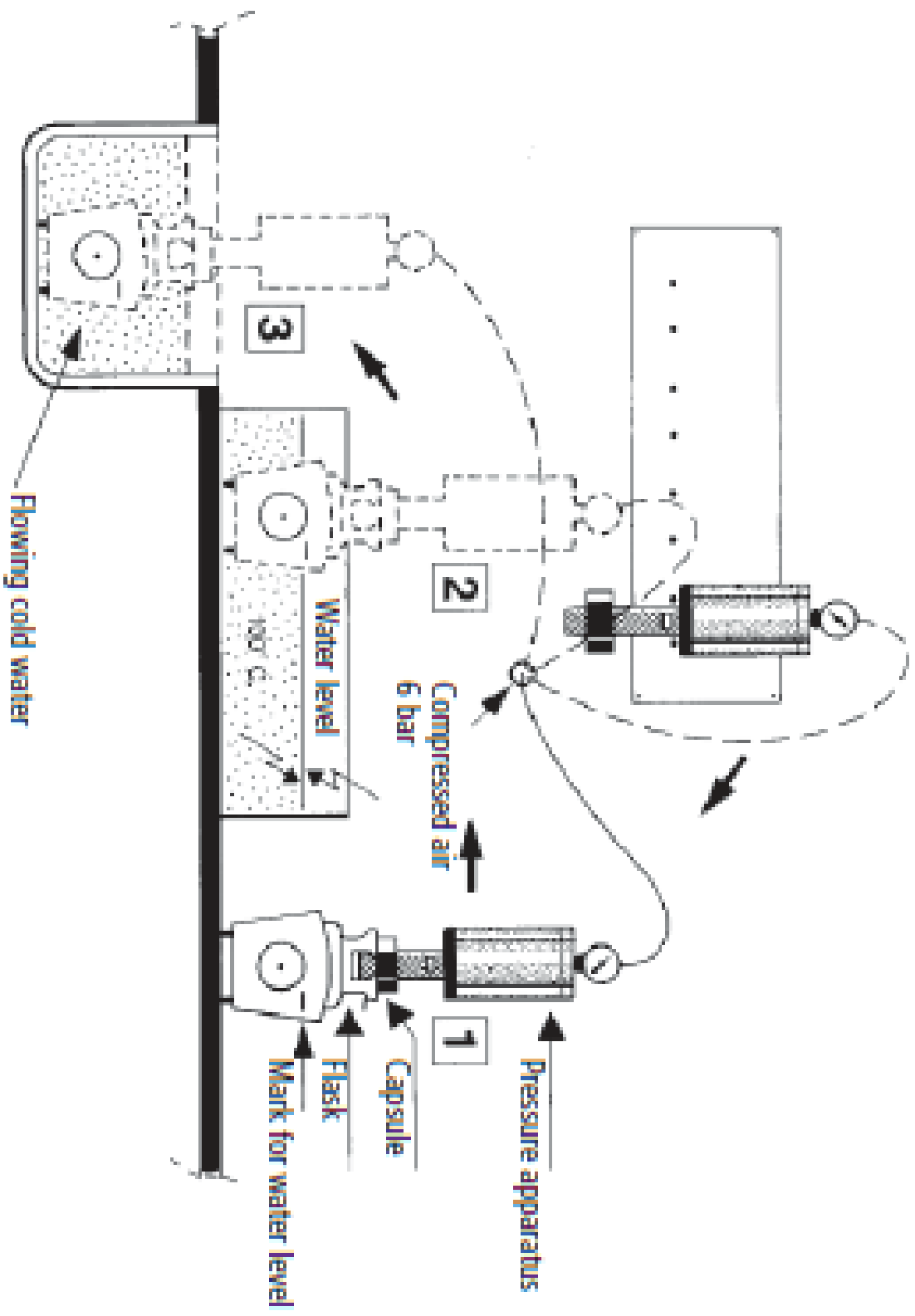
1 2 3



Starter Kit – 910009 \$2,700.00







PRESSURE APPARATUS

Consistent pressure enables controlled injection-moulding of the denture base material. This technique ensures continuous shrinkage compensation.



CAP VIBRATOR

Thorough mixing helps dissolve the polymer in the monomer quickly and cleanly.



FLASK

The special thermal insulators ensure the compensation of polymerization shrinkage.



POLYMERIZATION BATH*

The excellent material properties are the result of heat polymerization in the polymerization bath.



CLAMPING FRAME

The high clamping forces (3 tons) exerted on the flask prevent increases in vertical dimension.



SR IVOCAP ACCESSORIES

- Capsule plunger
- Investment aid
- Funnel
- Timer

RECOMMENDED ACCESSORIES

- Polymerization bath
(*e.g. IVO-2, BDT GmbH, Germany)

TECHNICAL DATA

Weight
Flask: 1.3 kg
Clamping frame: 2.3 kg
Pressure apparatus: 2.0 kg
Total: 5.6 kg

Max. operating pressure
6.5 bar