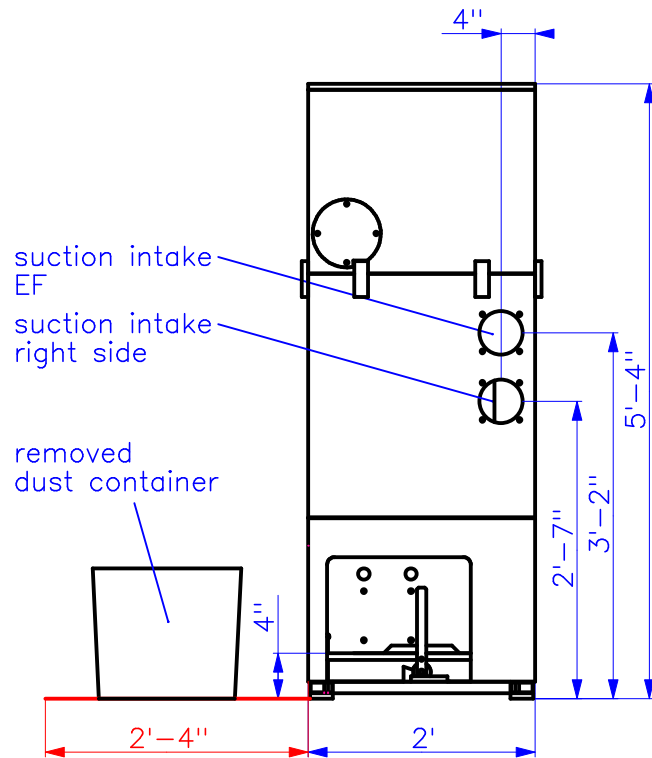
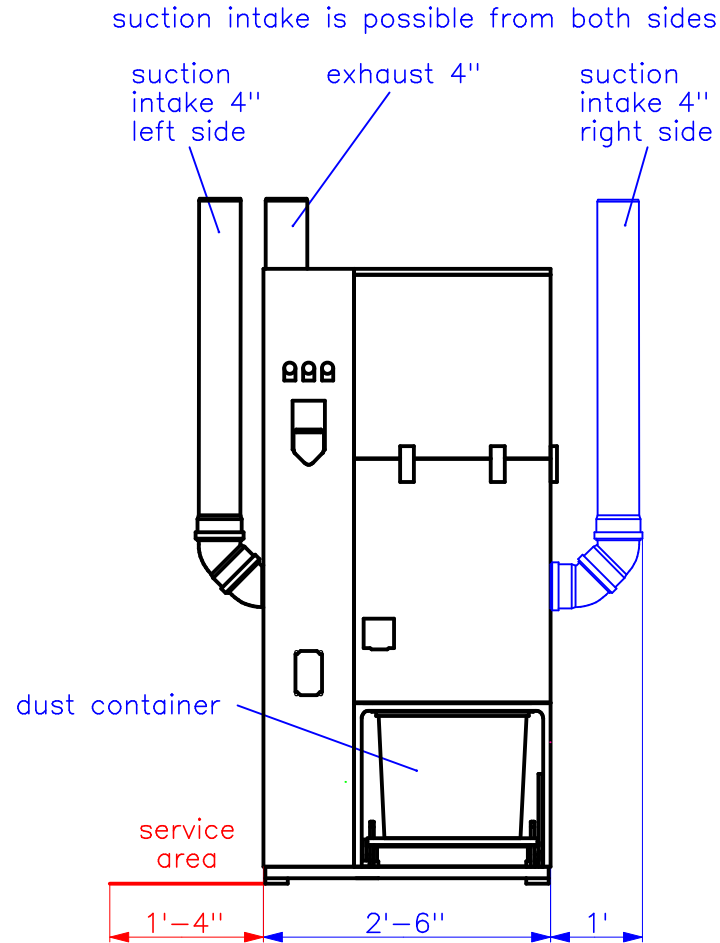


Zubler Central Suction System FZ 5/2 VARIO

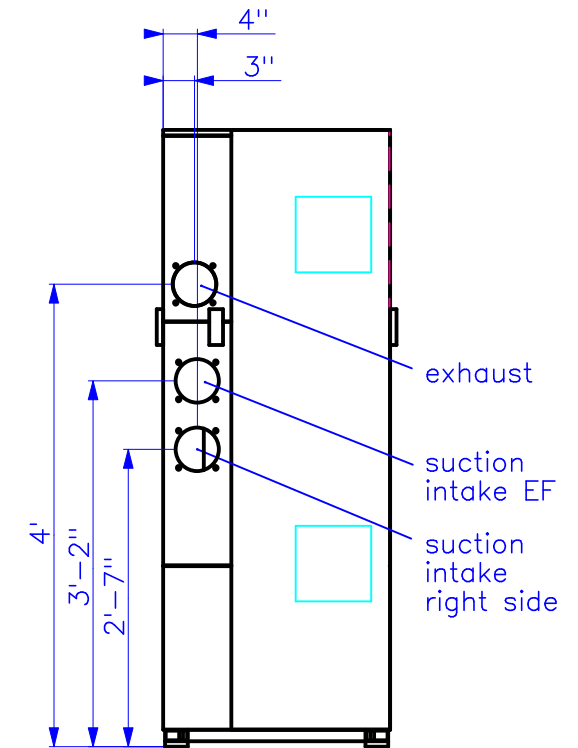
side view right



front view



side view left



Technical data FZ 5/2 VARIO

Zubler USA, LLC
 4220 Steve Reynolds Boulevard
 Suite 24
 Norcross, GA 30093

voltage:	3x 200-240 V ± 10%, 3 phase	1x 200-240 V ± 10%, single phase
frequency:	50-60 Hz ± 2 Hz	
max. input current:	24 A	30 A
max. vac. power:	22 m³/min (760 cfm)	18 m³/min (630 cfm)
max. low pressure:	8000 Pa	
filter area:	5 m²	
vac. power per station:	25 l/s (52 cfm)	

M 1:20

08.01.2013

technical changes reserved