

**#1 SELLING HANDPIECE
IN THE WORLD!**

OVER 1 MILLION SOLD!



MODEL: A1

CONTENTS

01

Features

02

Functional Description

03

Advantages

04

Product Parameters



FEATURES



Updated Peacock grip design



Japanese Ceramic Bearing



Patented Spindle Design for secure bur retention.

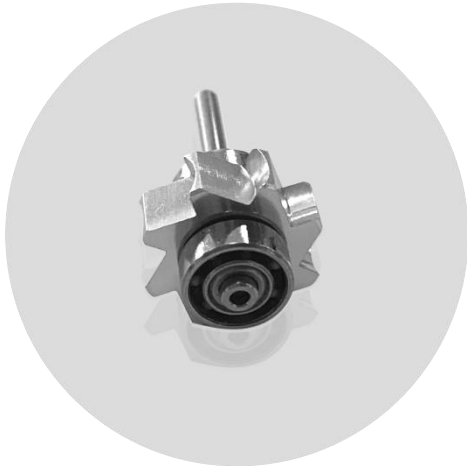
FEATURES

JAPANESE CERAMIC BEARINGS





1. Clean head system - To prevent cross-infection



2. Super torque - For efficient Drilling

sales@zublerusa.com

TECHNICAL DATA

Noise : $\leq 60\text{dB}$

Vibration : $\leq 0.04\text{mm}$



TECHNICAL DATA



Compared

	Appledental	Being	COXO
Noise:	≤60dB	≤65dB	≤65dB
Torque/Power:	22W-24W	20W-22W	20W-22W
Price :	80RMB-100RMB	130RMB-140RMB	160-180RMB
Warranty:	6 months	6 months	6 months

sales@zublerusa.com

TECHNICAL DATA

Code:	A1
Air Pressure:	0.25 (Mpa) -0.3 (Mpa)
Rotor Speed:	320 (krpm) -400 (krpm)
Torque/Power:	22W-24W
Water flow:	90(min/ml)-110(min/ml)
Water pressure:	0.2 (Mpa)-0.23 (Mpa)
Atomization pressure:	0.3 (Mpa)-0.35 (Mpa)
Noise:	≤60dB
Description:	torque handpiece,push button ,clean head system,Four points anti-retraction ,single water spray,4 holes and 2 holes optional,exposed cartridge



Distributed by:

 **zubler** USA

805 Marathon Parkway
Suite 130 Lawrenceville,
GA 30046

(770) 921-2131

16135 Preston Rd.
Suite 126
Dallas, TX 75248
(972) 600-9187

sales@zublerusa.com

www.zublerusa.com