

FG 1000

Stand for AV1000, MB1000

Assembly Instructions

Dear customer,

We are glad that you have made the decision for a product from our house and we wish you an agreeable working with this equipment.

The FG1000 stand was especially developed for use with Zubler laboratory equipment. It allows you to place either preparation box AV1000, monomer box MB1000 or polishing unit P1000 close to everywhere in your lab without wasting precious space.

The constant further development of our technique is based on co-operation with expert dental lab technicians. Our objective is centred herewith to render the suction technique even smoother and more agreeable. Efficiency and economy are the basic principle.

We are asking you to read the instructions before putting the installation into operation, this is an absolute must ! For damages occurring due to non-observance of the operating instructions no liability can be accepted.

Assemble the stand with the 4 enclosed M6x16 screws in the desired height.

Take care that the longer part of the straps for mounting the appliance and also the longer parts of the stands' feet are pointing to the front.

If necessary fix the mounting plate for the knee switch with the 3 M5x25 screws on the right side of the stand.

Finally unscrew the rubber feet of the appliance and put it on top of the stand so that the holes are matching. Now you can fasten the appliance tightly with 4 pieces M5x16 (P1000, MB1000) M6x16 (AV1000) screws.

Assembly

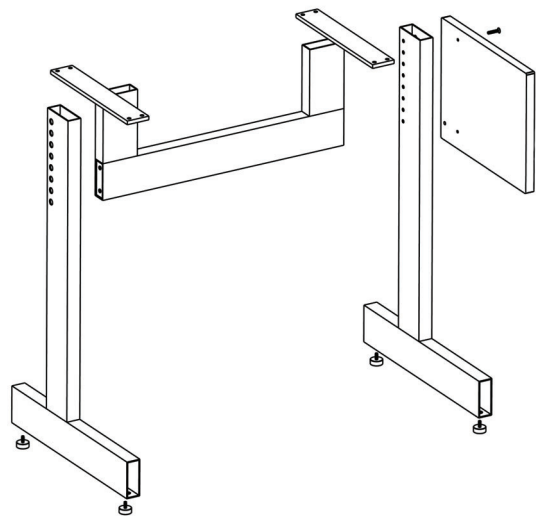


Fig. 1 assembly diagram